

Figure 8
 Page 1 of 1

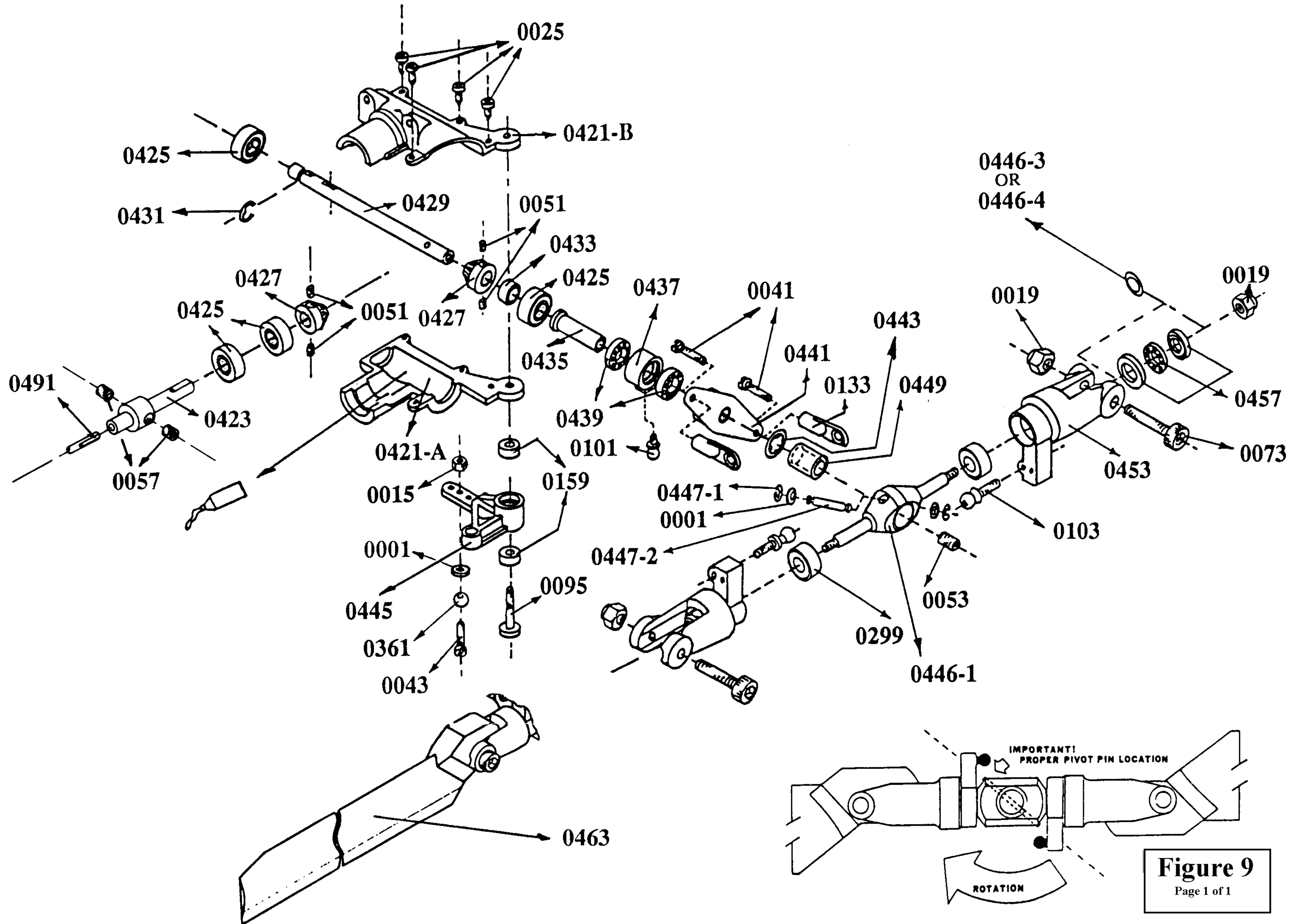


Figure 9
 Page 1 of 1

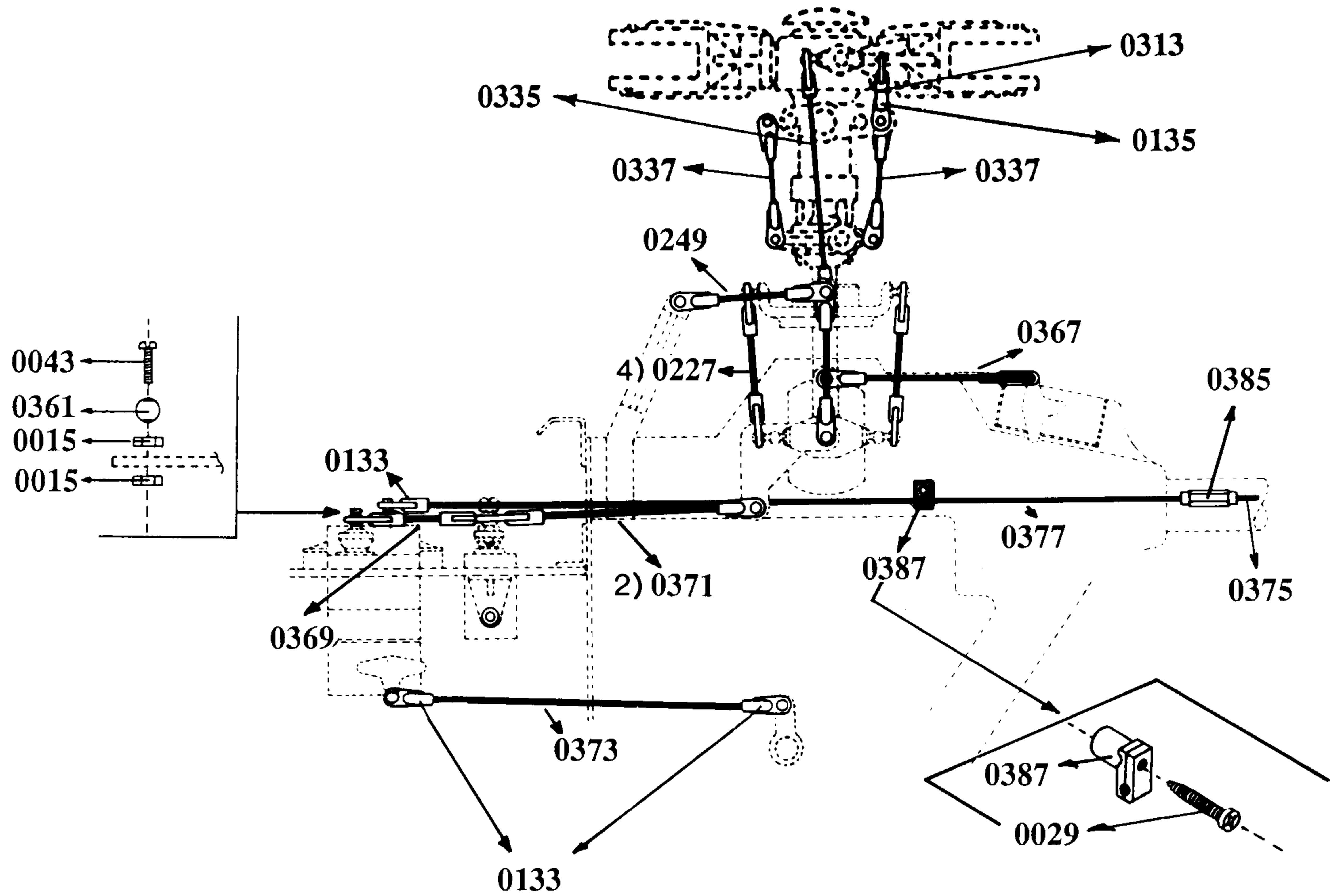
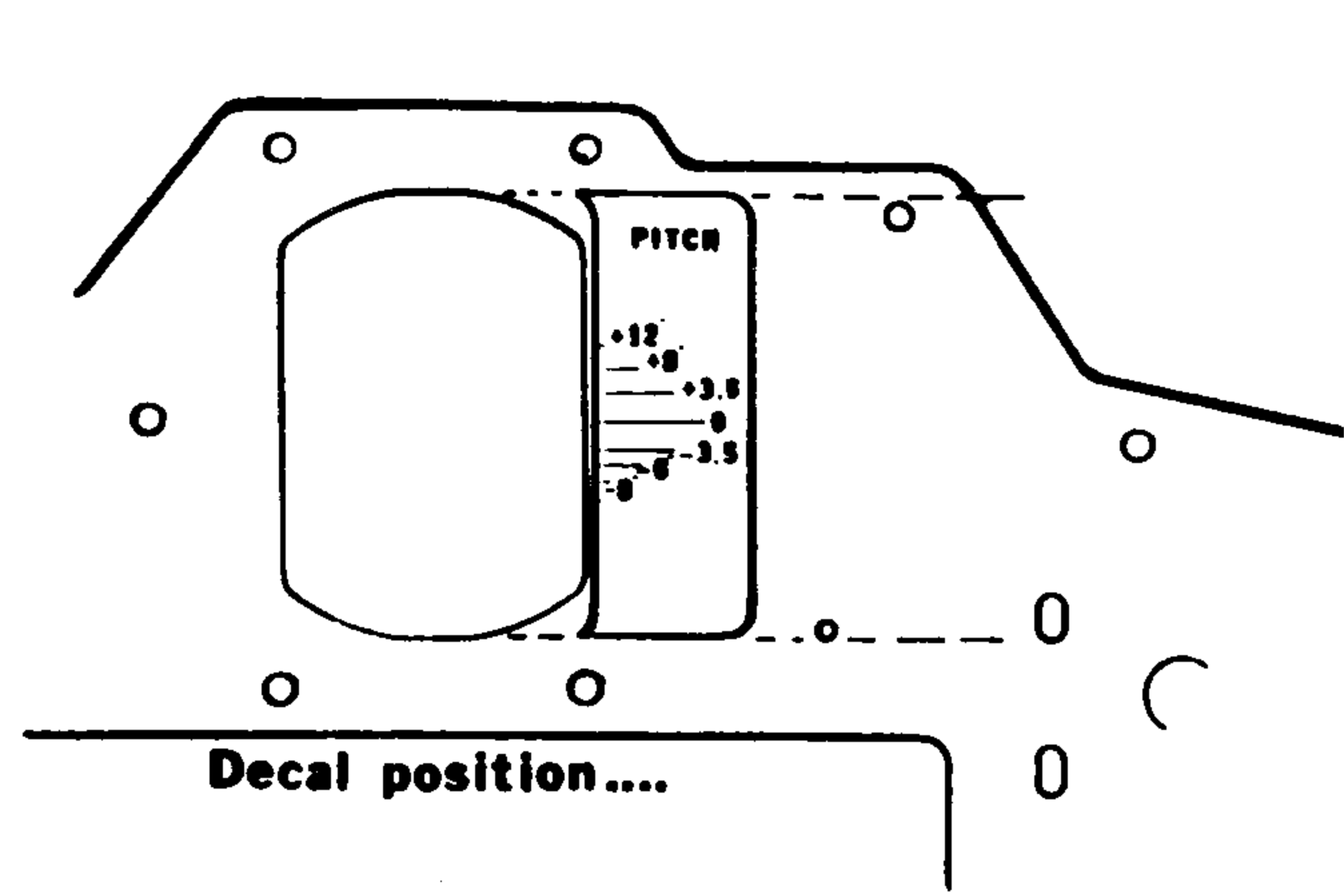
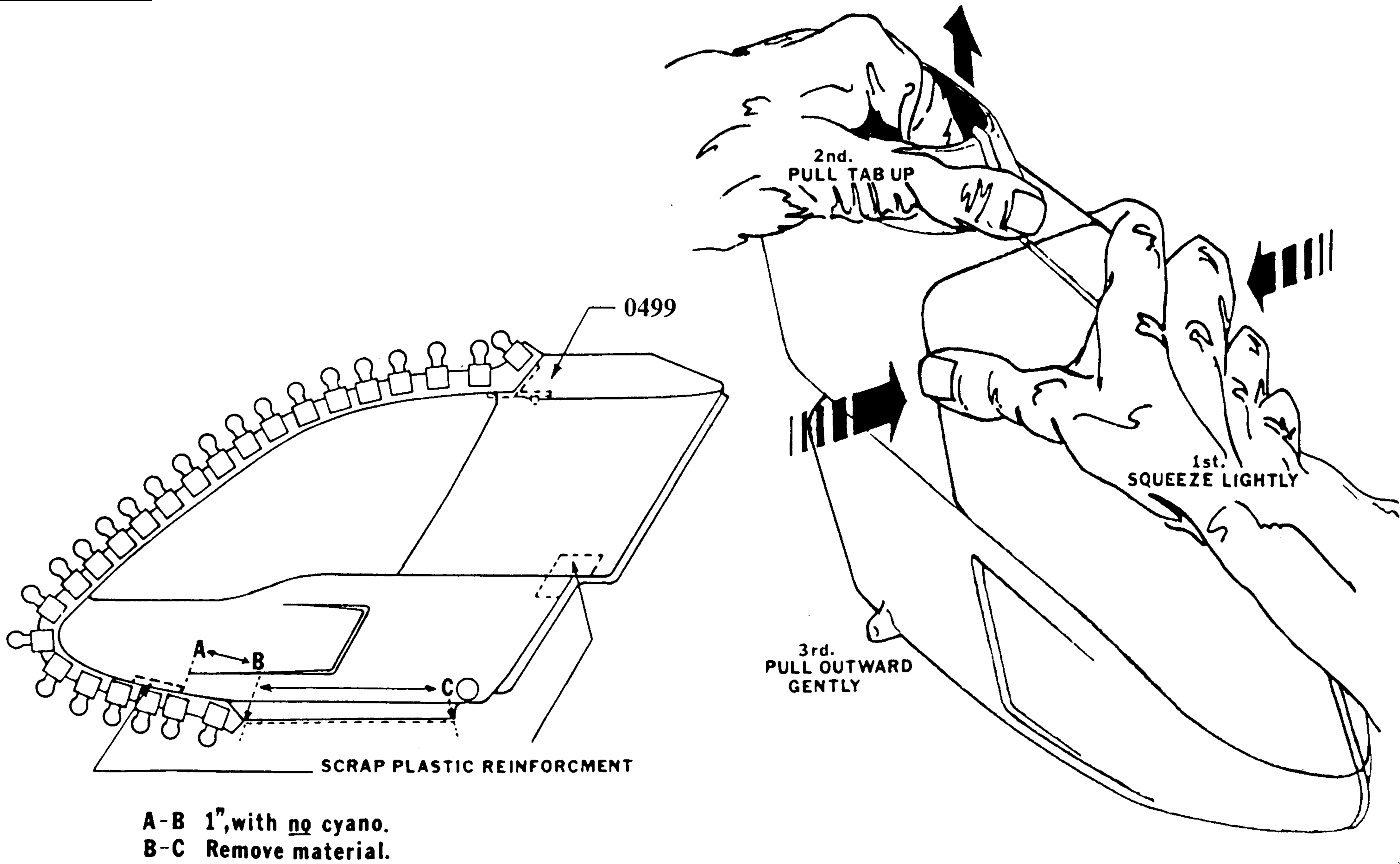
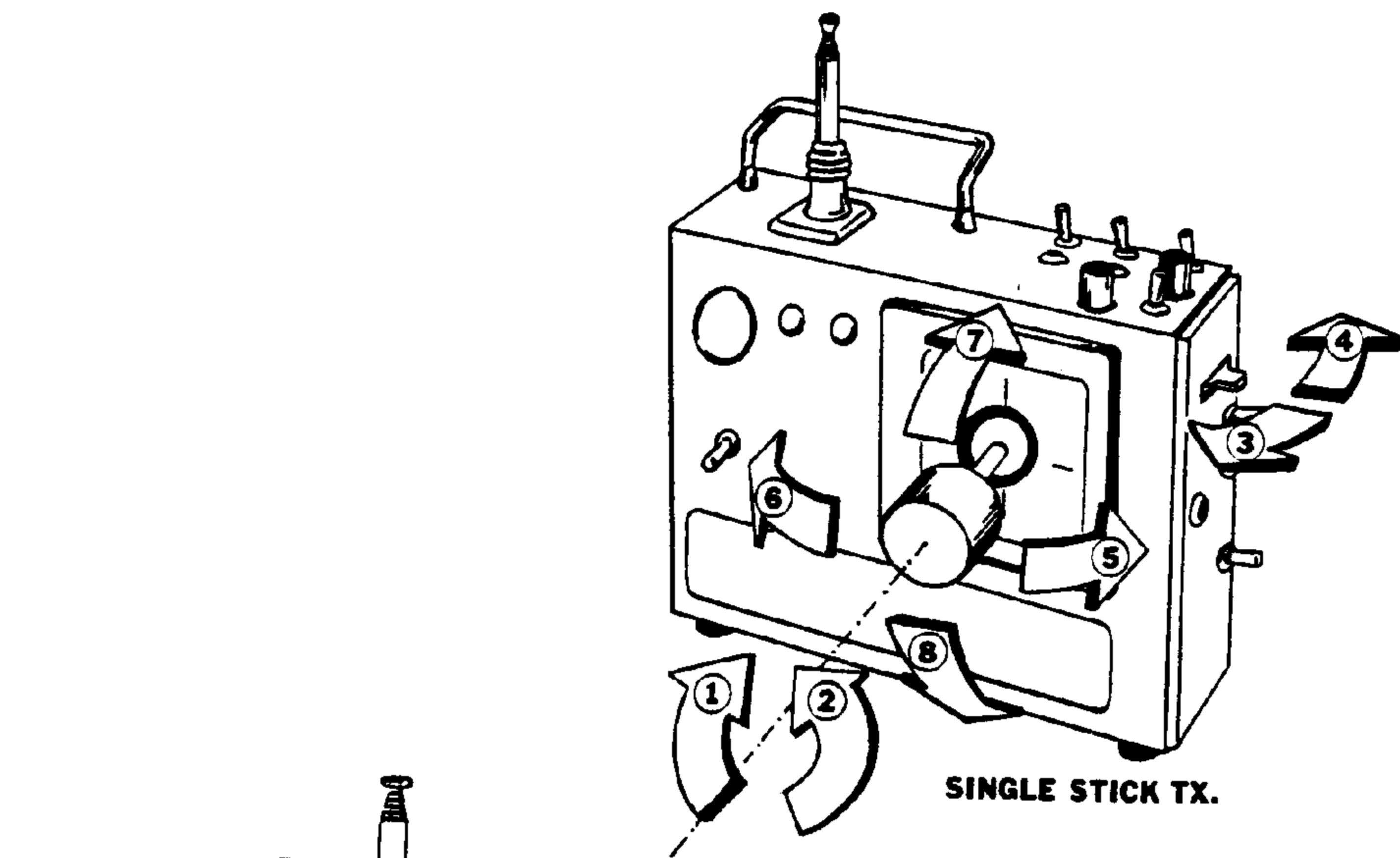
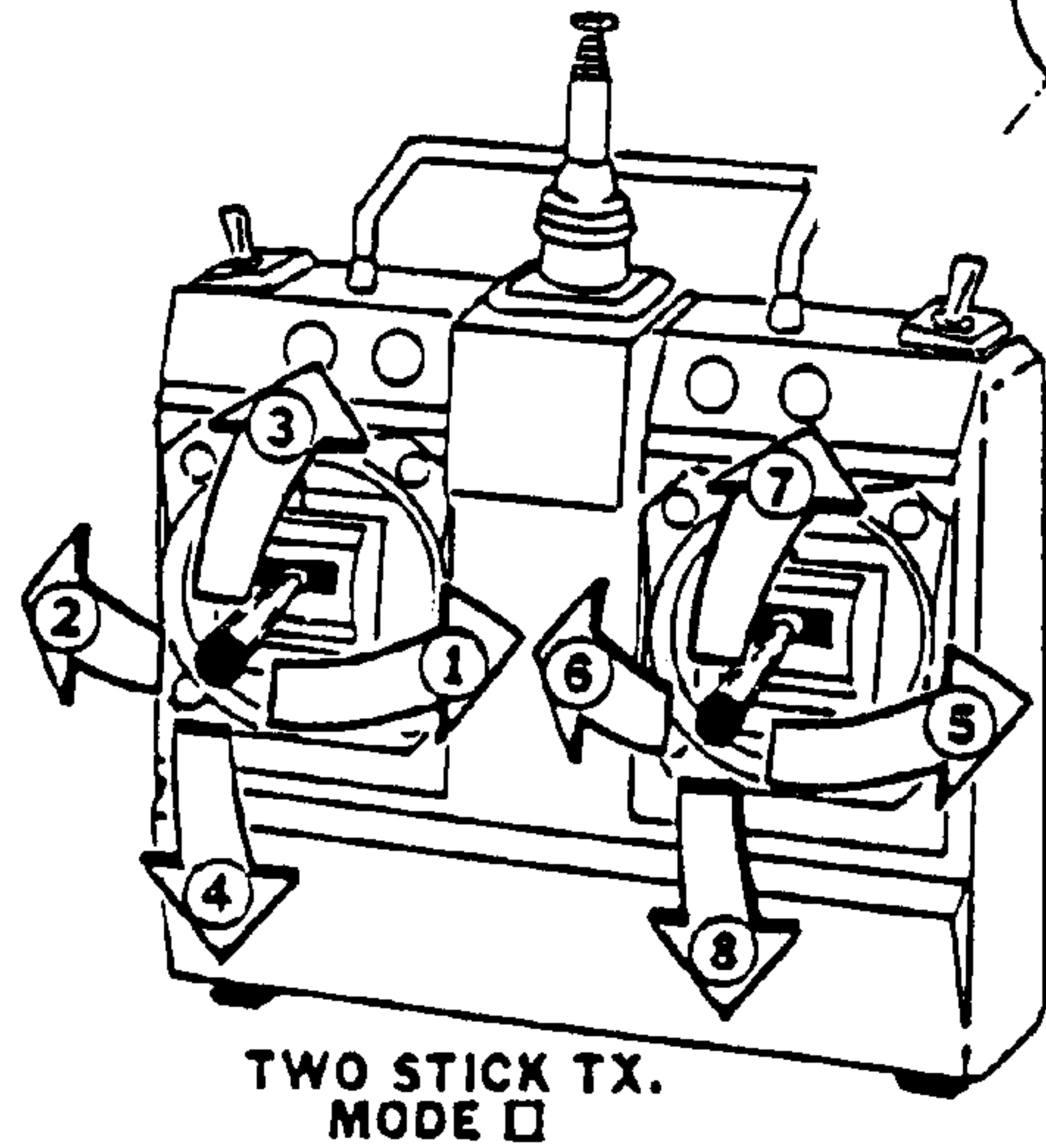
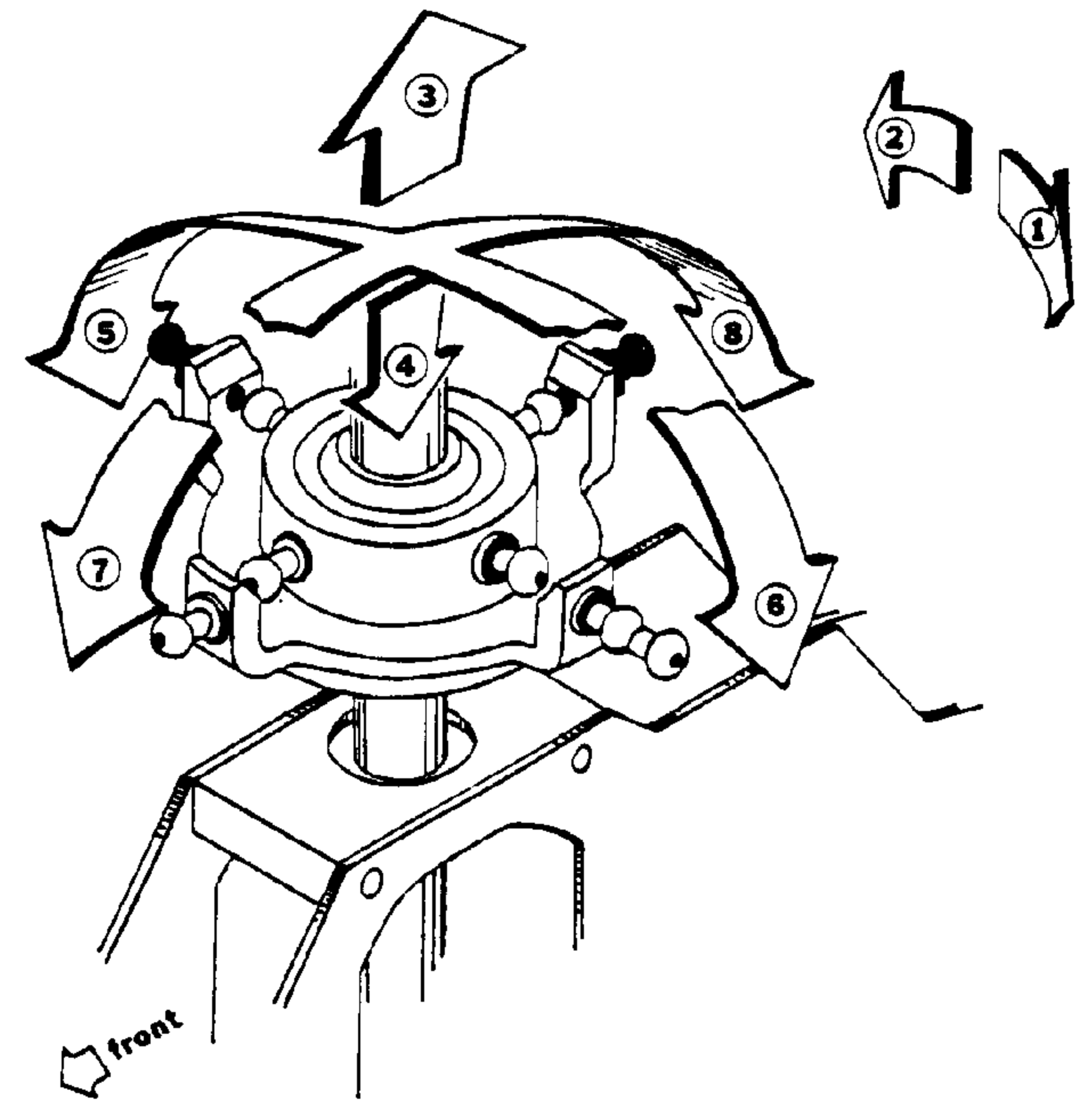


Figure 11
Page 1 of 2

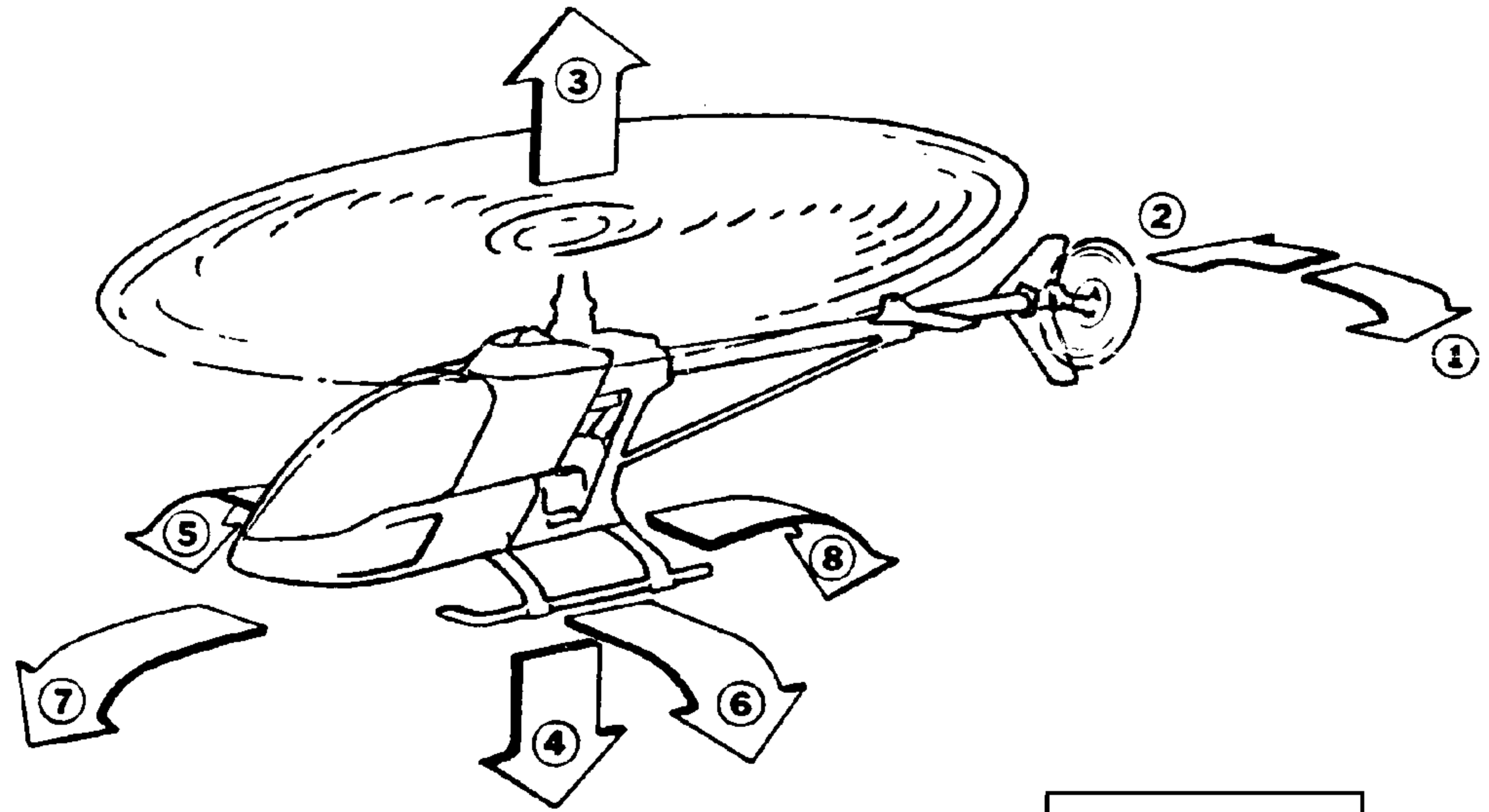




SINGLE STICK TX.



**TWO STICK TX.
MODE II**



Basic operation of transmitter sticks. (Mode II Two Stick and Single Stick)
Command Sequence (1) Tailrotor - Right (2) Tailrotor - Left
 (3) Throttle/Collective - High (4) Throttle/Collective - Low
 (5) Roll (Aileron) - Right (6) Roll (Aileron) - Left
 (7) Pitch (Elevator) - Forward (8) Pitch (Elevator) - Rearward
Corresponding Response (A) Swashplate (B) Flight Attitude

Figure 14
Page 1 of 1

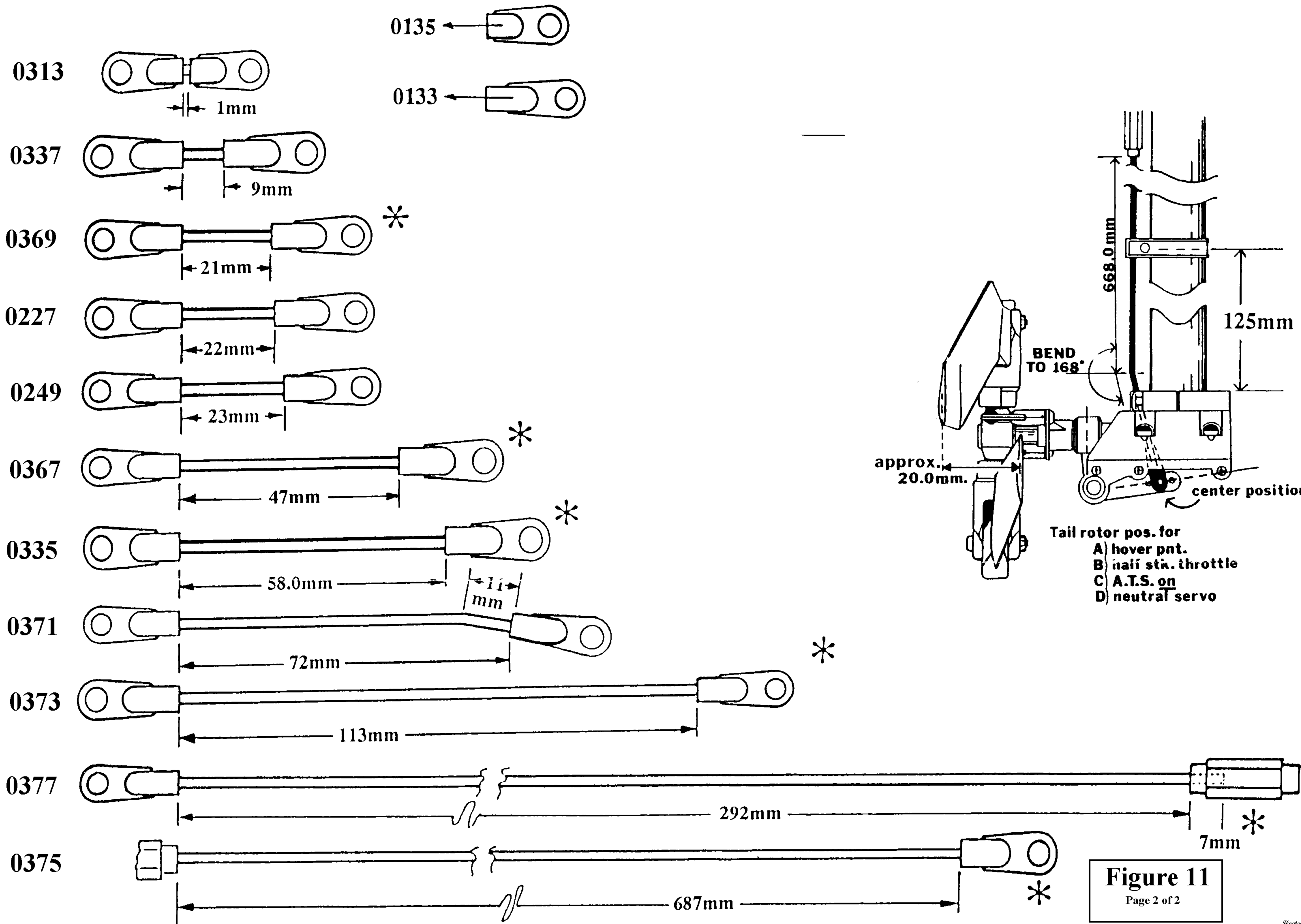


Figure 11
Page 2 of 2