

Figure 1

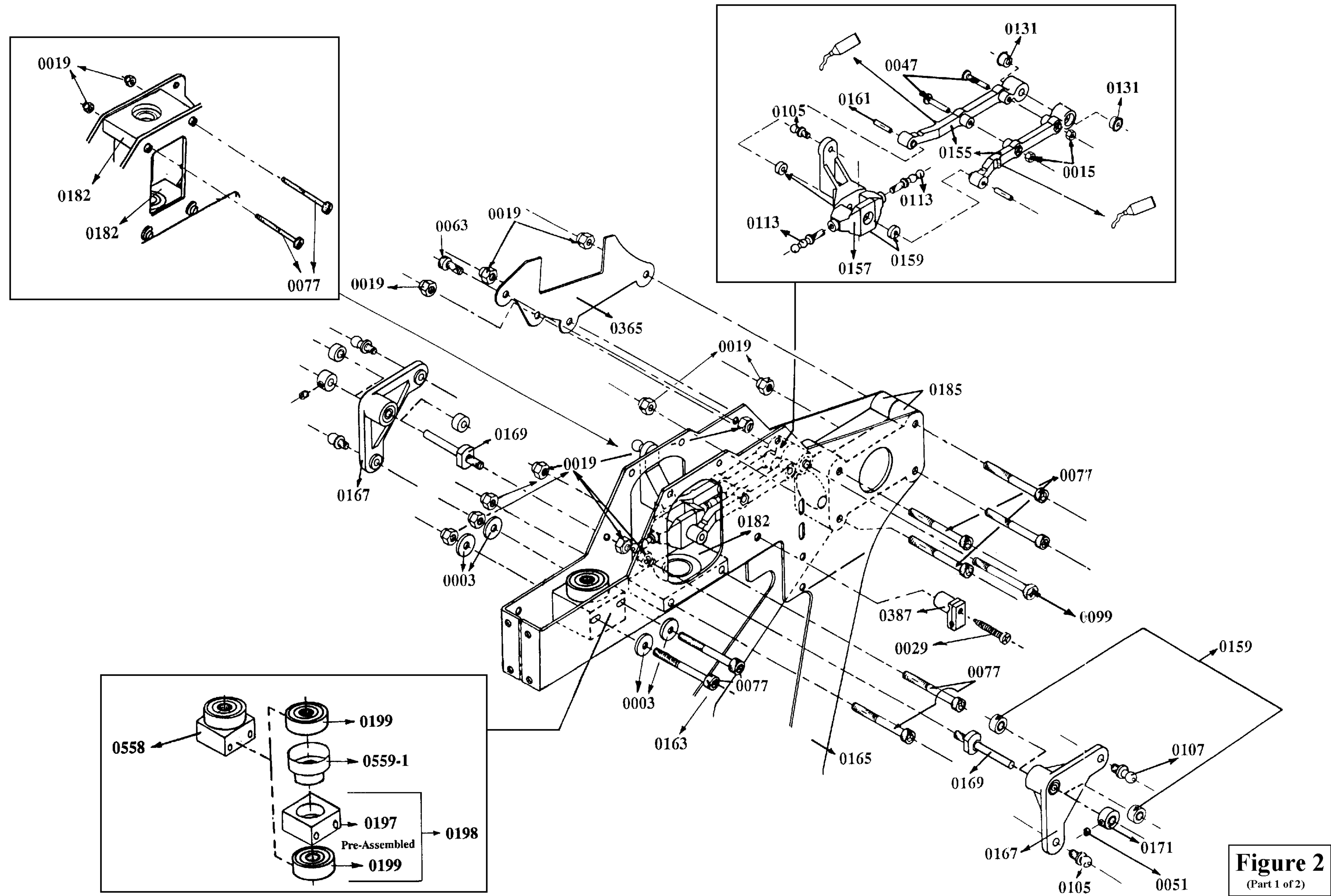


Figure 2
(Part 1 of 2)

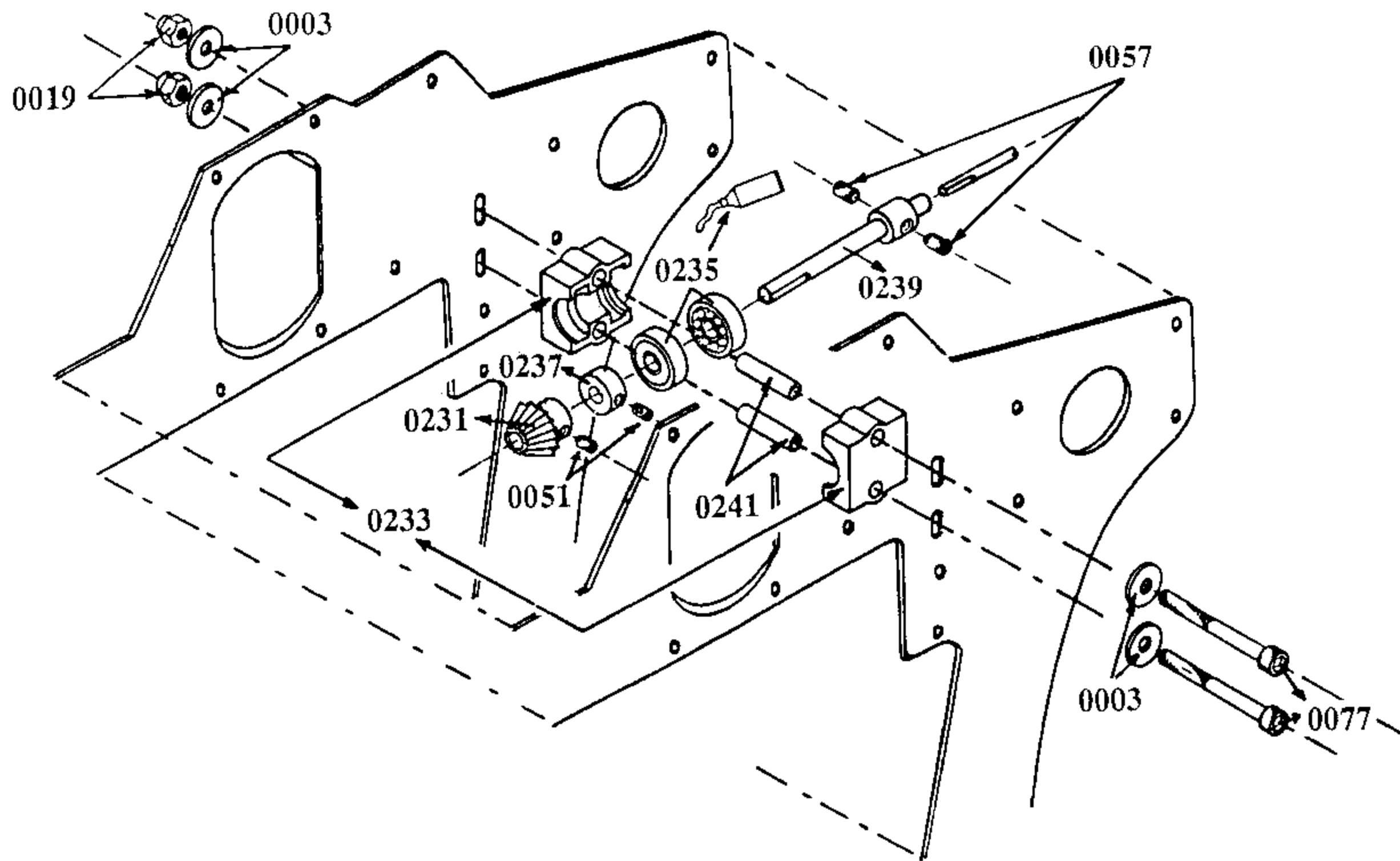
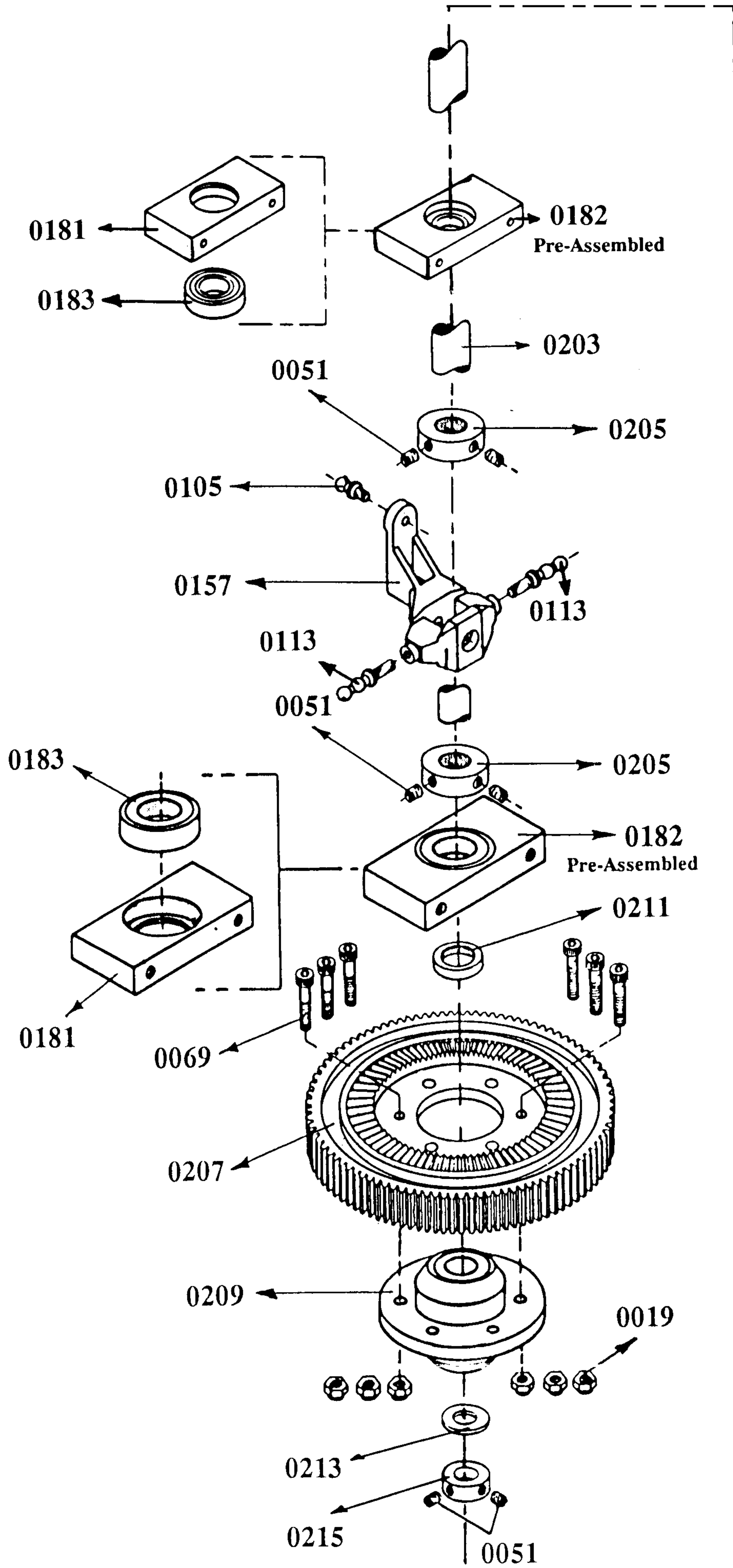


Figure 2

Part 2 of 2



To bottom of Figure 3
Part 2 of 2

Figure 3

Part 1 of 2

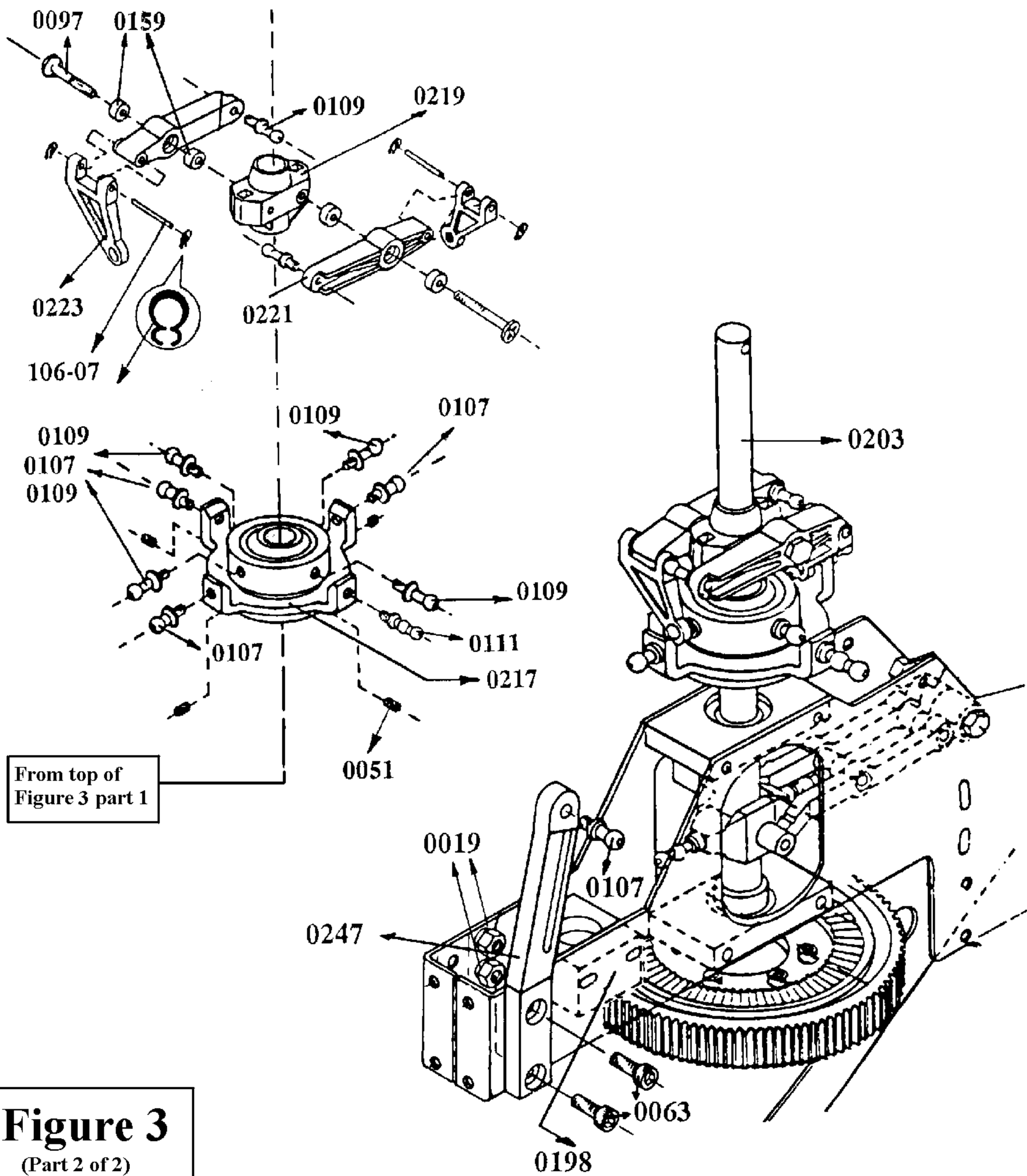


Figure 3

(Part 2 of 2)

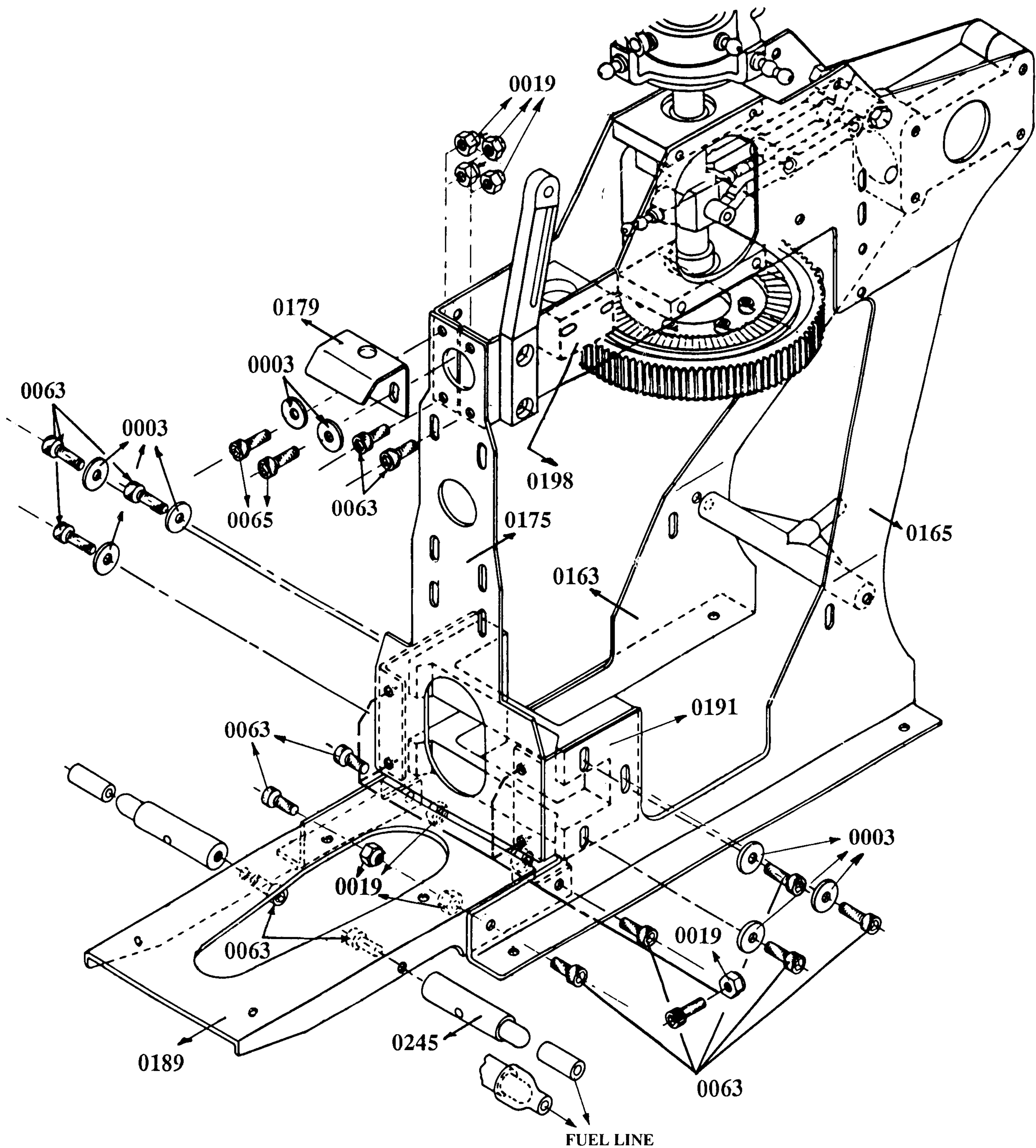


Figure 4

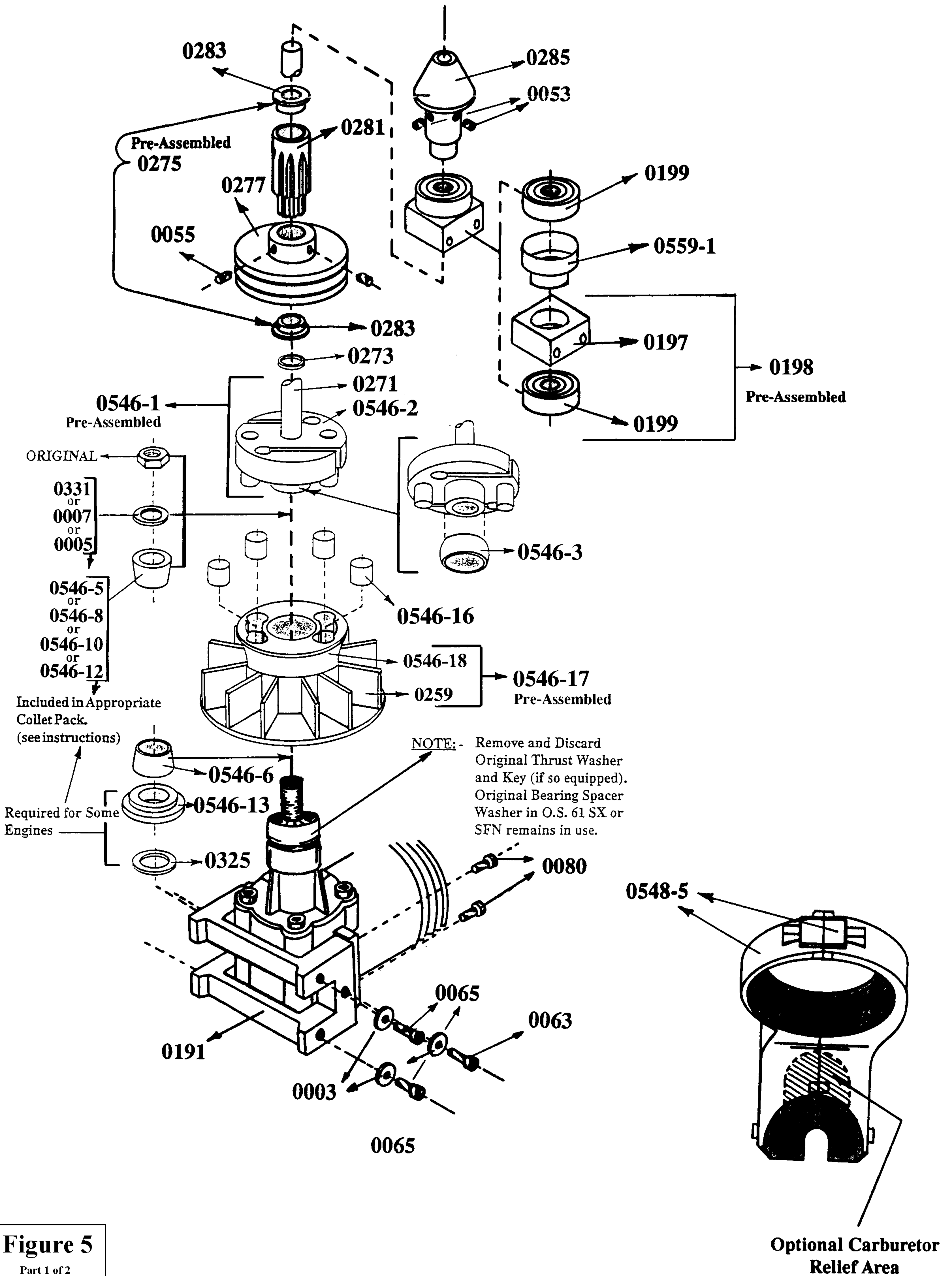


Figure 5
Part 1 of 2

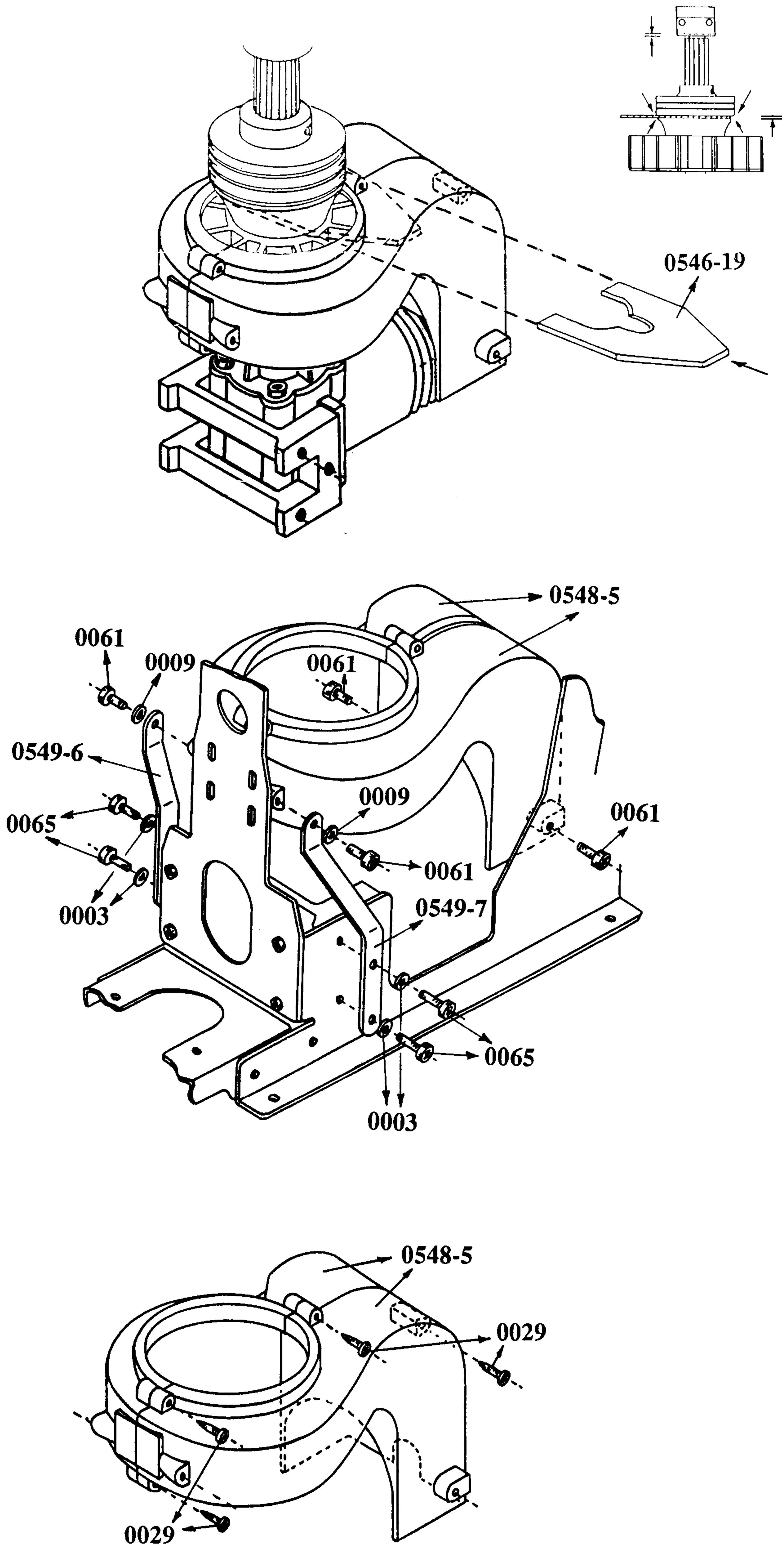


Figure 5

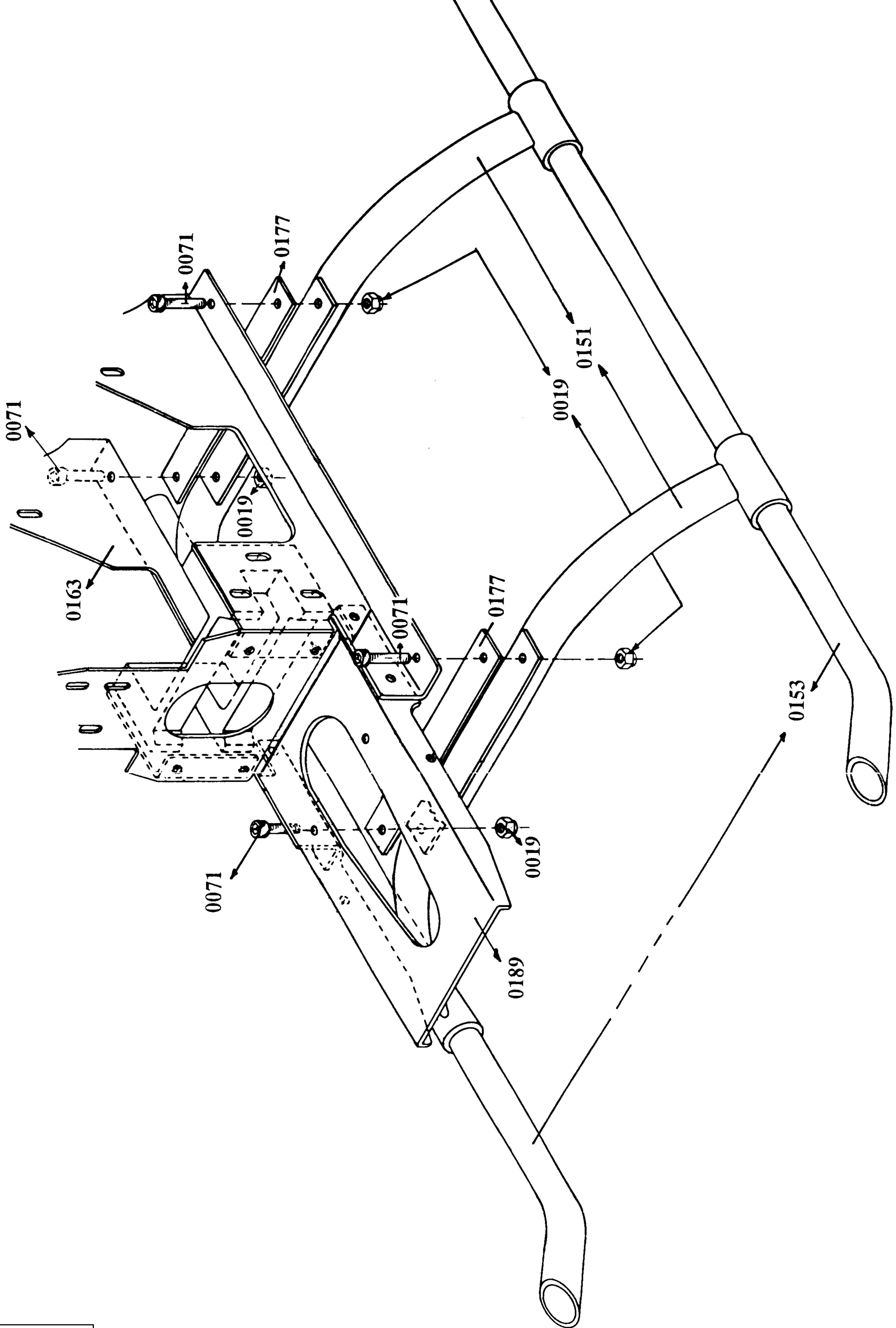


Figure 6

Part 1 of 1

- A. Collective
- B. Tail Rotor
- C. Roll
- D. Throttle
- E. Gyro (opt. pos.)
- F. Battery (opt. pos.)
- G. Receiver (opt. pos.)
- H. Receiver switch
- I. Gyro switch

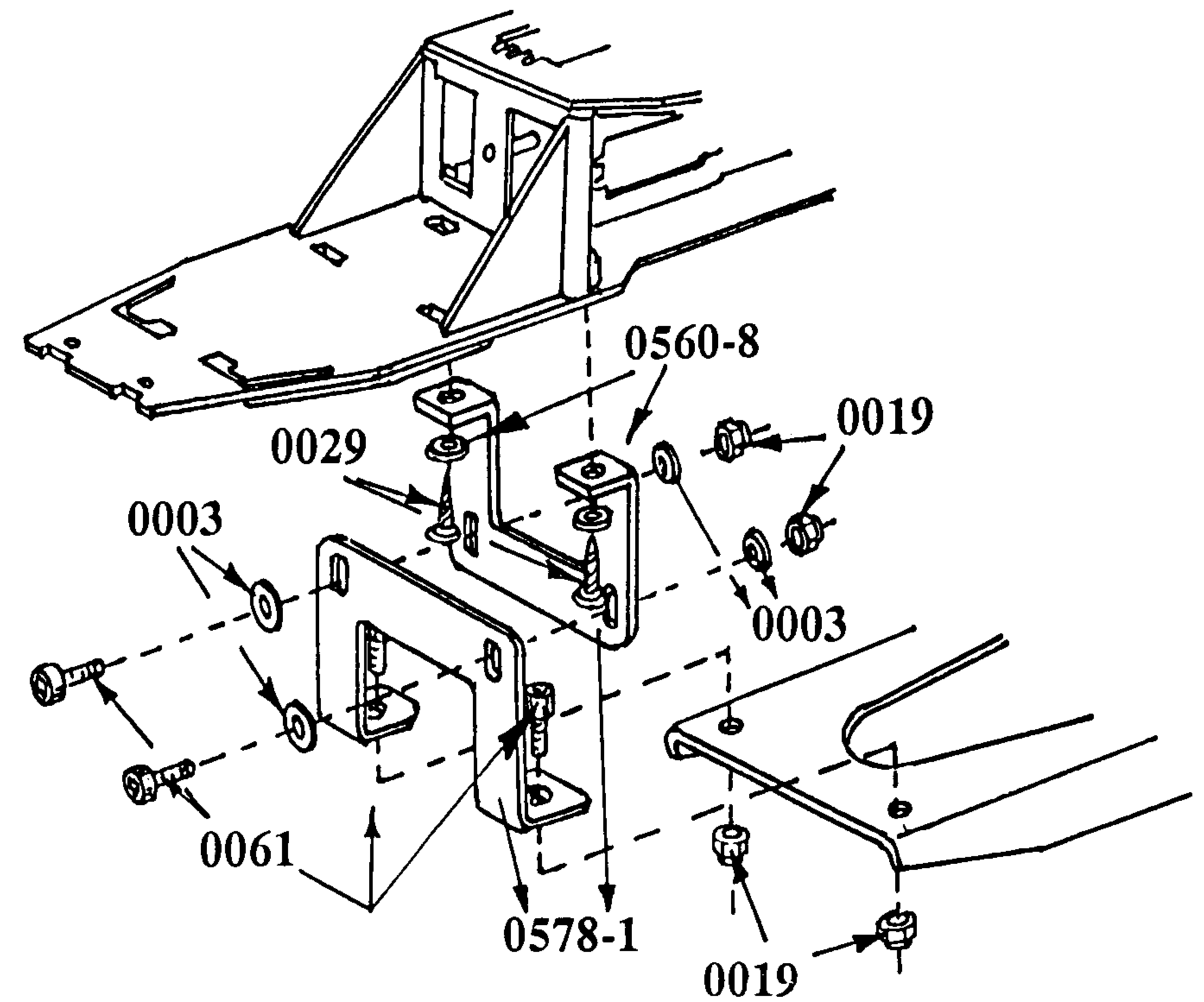
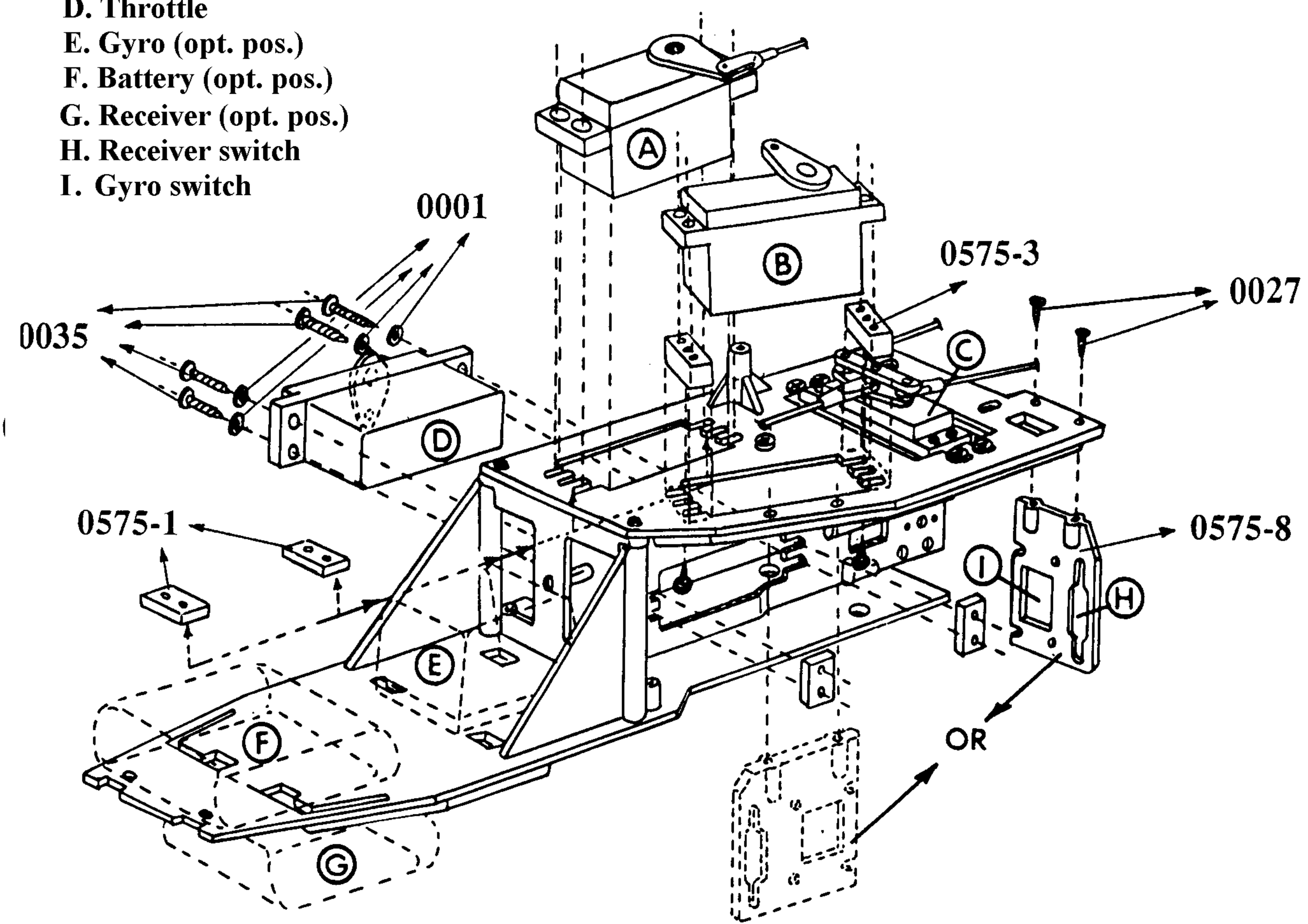


Figure 7
Page 1 of 3

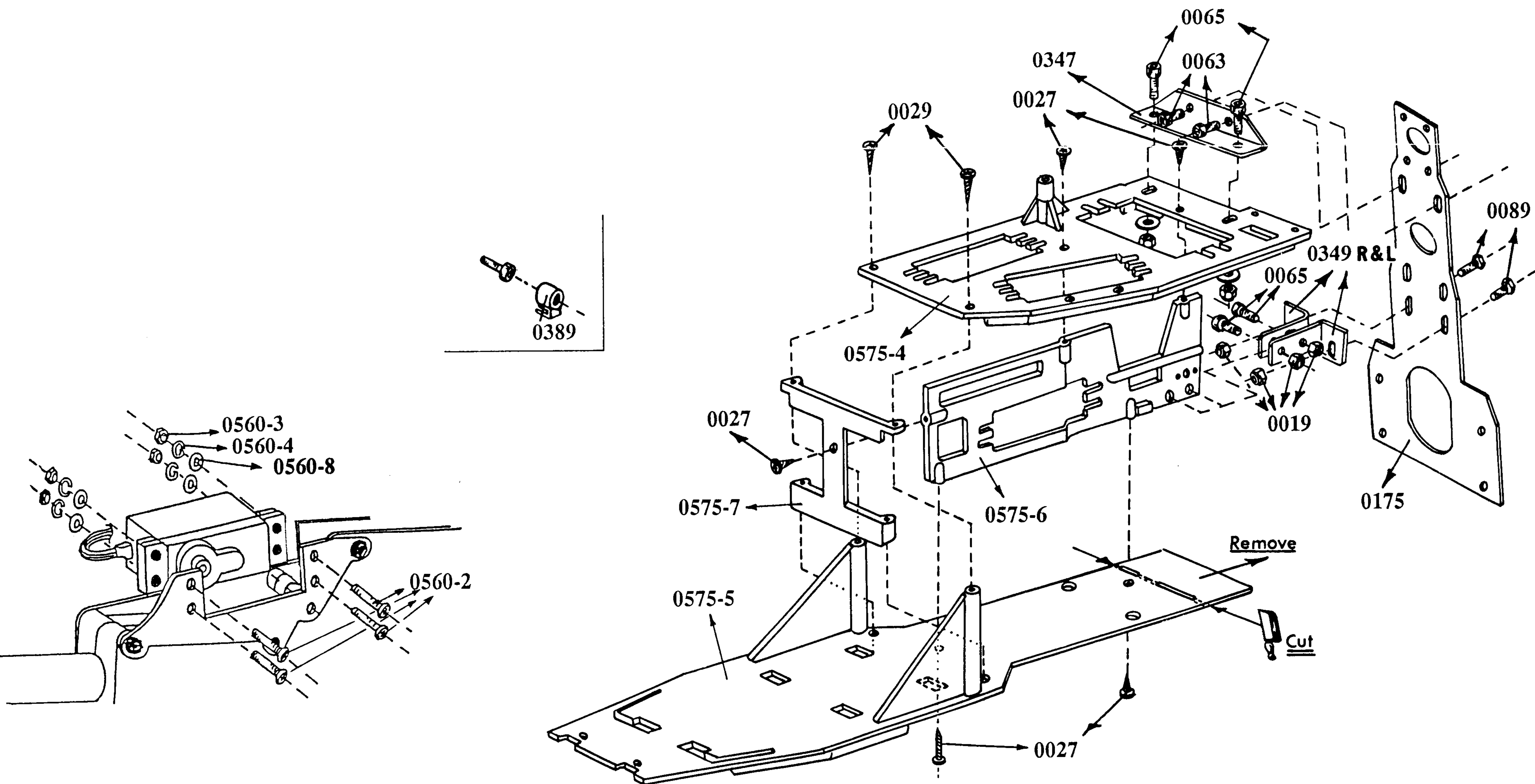


Figure 7
 Page 2 of 3

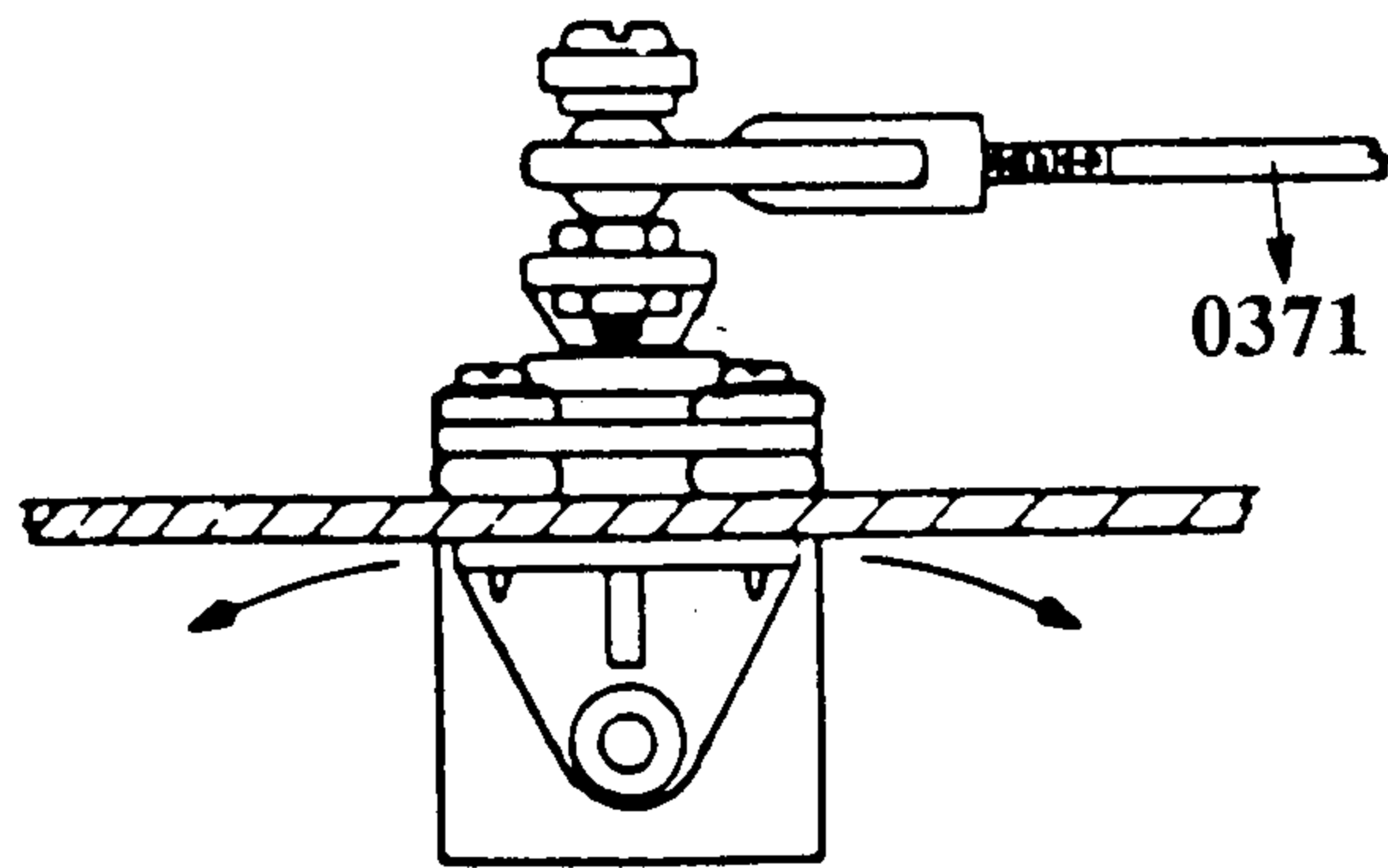
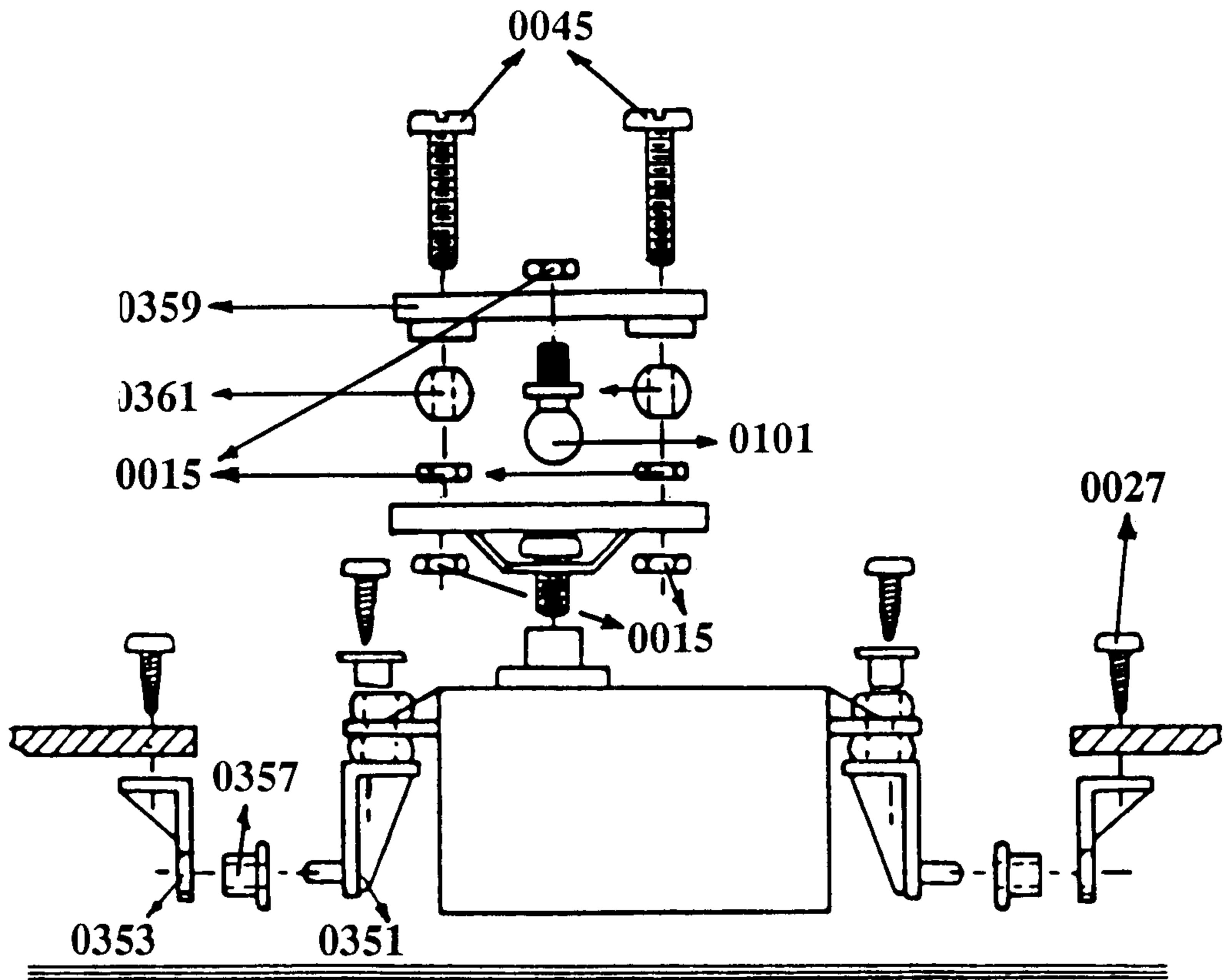


Figure 7
 Page 3 of 3